



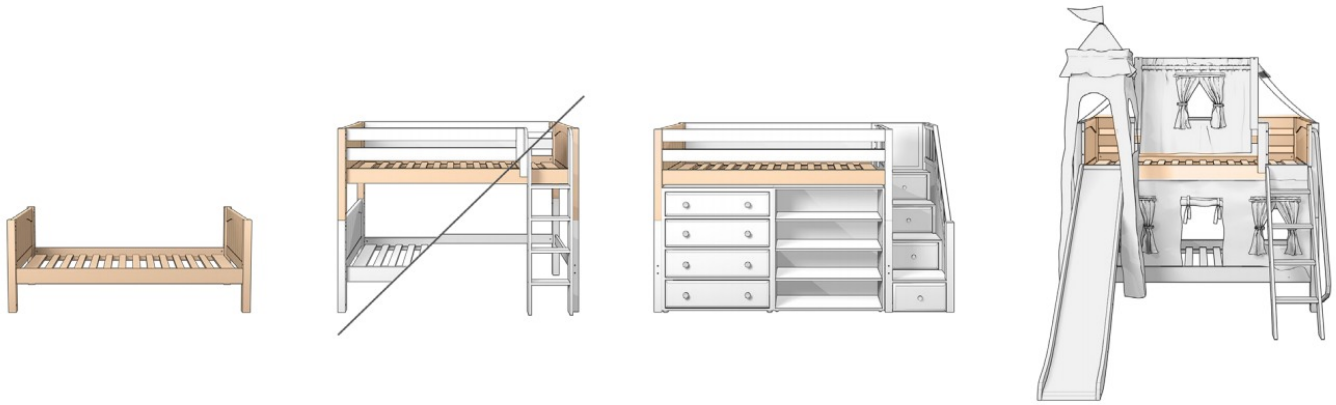
The furniture system that grows



## Maxtrix Best Sellers

CATALOG OF CORE PRODUCTS AND CUSTOMER FAVORITES

# One bed. Endless possibilities.



## **CUSTOMIZE YOUR PERFECT BED TODAY...**

We've made it easy to build your dream bed. With many different colors, styles and sizes to choose from, you can customize your perfect solution. Have a few favorites in mind? We can custom-build the ideal bed for your very own space.

## **RECONFIGURE YOUR BED TOMORROW!**

When life happens, your Maxtrix bed can easily be reconfigured to suit any changing need. Whether you need space to sleep two or need a place to study and store, our beds can be conveniently converted to create

## **QUALITY AND SUSTAINABILITY THAT LAST**

Crafted with premium solid hardwoods and connected with strong patented hardware, our beds' 800lb-2,000lb weight capacity and unique interchangeable components create a space that is durable for many years to come. With a design that's made to last, we've created a sustainable furniture system solution that grows with your family.

## **WITH YOU EVERY STEP OF THE WAY**

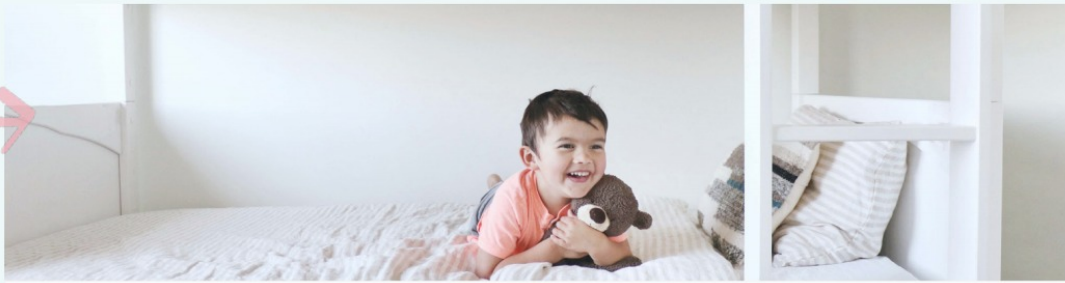
We know there's a lot of options, and we're here to help. Contact your local retailer or our US-based Expert Team and we'll help you design and choose the right bed that caters to your unique style and space.



# How to use this guide

CHOOSE YOUR: ✓ Bed Type ✓ Features ✓ Size/Height ✓ Bed Name

1. Bed Type



3. Size/Height



**TWIN OVER TWIN**  
L:80" X D:46.5" X H:71"



**FULL OVER FULL**  
L:80" X D:92" X H:71"



**FULL XL OVER QUEEN**  
L:104.75" X D:64" X H:71"

2. Bed features

High Bunk	Straight Ladder	Angled Ladder	Staircase
Twin over Twin	TALL	VENTI	WOPPER
Twin XL over Twin XL	TALL XL	VENTI XL	WOPPER XL
Full over Full	BUFF	CHUFF	TOPPER
Full XL over Full XL	BUFF XL	CHUFF XL	TOPPER XL
Queen over Queen	CLUNK XL	CHURL XL	POPPER

4. Bed names

## Table of Contents

PRODUCTS	PAGE
Traditional, Day & Toddler Beds	10-11
Bunks & Play Bunks	14-15
Staggered & Quad Bunks	22-23
Corner Bunks & Corner Loft Bunks	26-27
Lofts & Play Lofts	28-29
Corner Lofts & Case Goods	34-35
Dressers & Mattresses	36-37
Accessories	38-39



*NEW Two Toned*  
**Modern Collection**



# Customize your perfect Maxtrix bed!

## ✓ COLOR



CHESTNUT



NATURAL



WHITE

## ✓ BED END STYLE Available in 3 heights: Low 30.75", Medium 35.5", High 40.25"



SLAT

*Available in Two Toned*



PANEL



CURVE

*Only available in White*

## ✓ BED SIZE Choose from 4 options: Twin, Twin XL, Full, and Queen

## ✓ ENTRANCE All entrances are reversible, and can be installed at the front or side of the bed.



STRAIGHT LADDER



ANGLED LADDER



STAIRCASE



SLIDE PLATFORM



# What can you do with Maxtrix?

## Raise it up...

Our rock solid and easy to install leg extension system allows you to raise a regular bed to any height you want.

### LOW LOFT

H: 50.75" (129cm)



32.75" (83cm)

### MID LOFT

H: 61.5" (156cm)



43"

## Double it up...

Maxtrix® beds are designed to perfectly fit together. Combine multiple different sizes to create the perfect Bunk. You can even make it a triple Bunk!

### LOW BUNK

H: 61.5" (156cm)



32.5" (83cm)\*

### MEDIUM

H: 66.25" (168cm)



33"

## ...or mix it up

The combinations are endless. No matter how many angles or obstacles, the Maxtrix® system can create the perfect solution for any kind of room.

### LOW LOFT

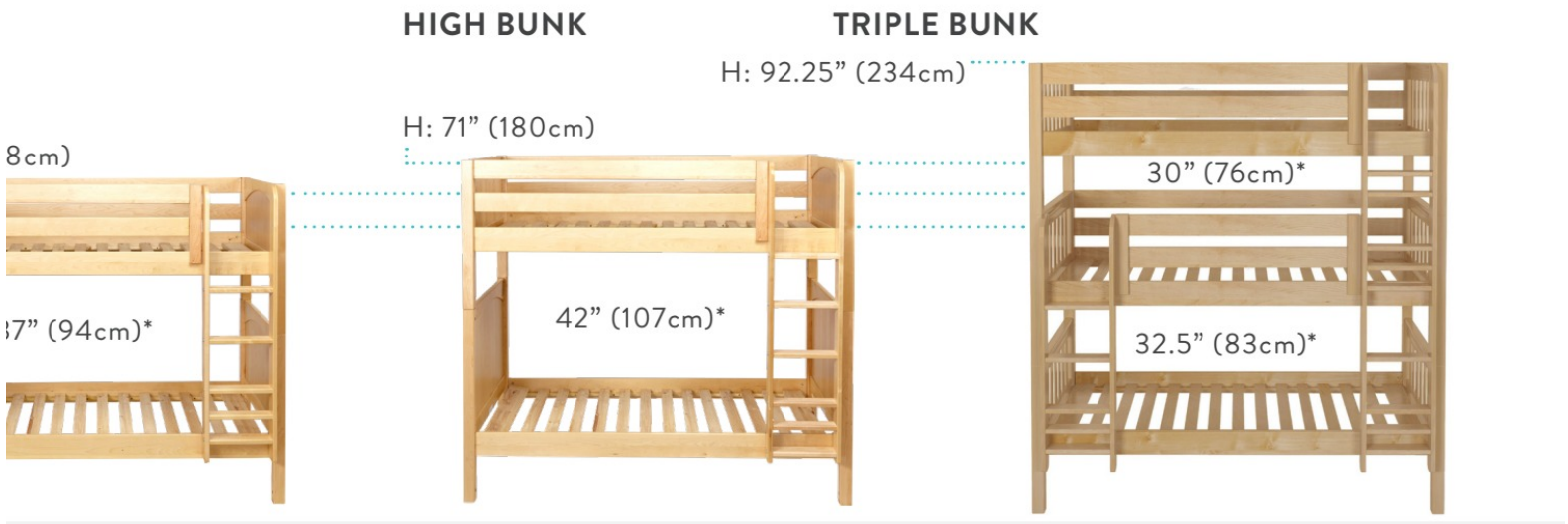
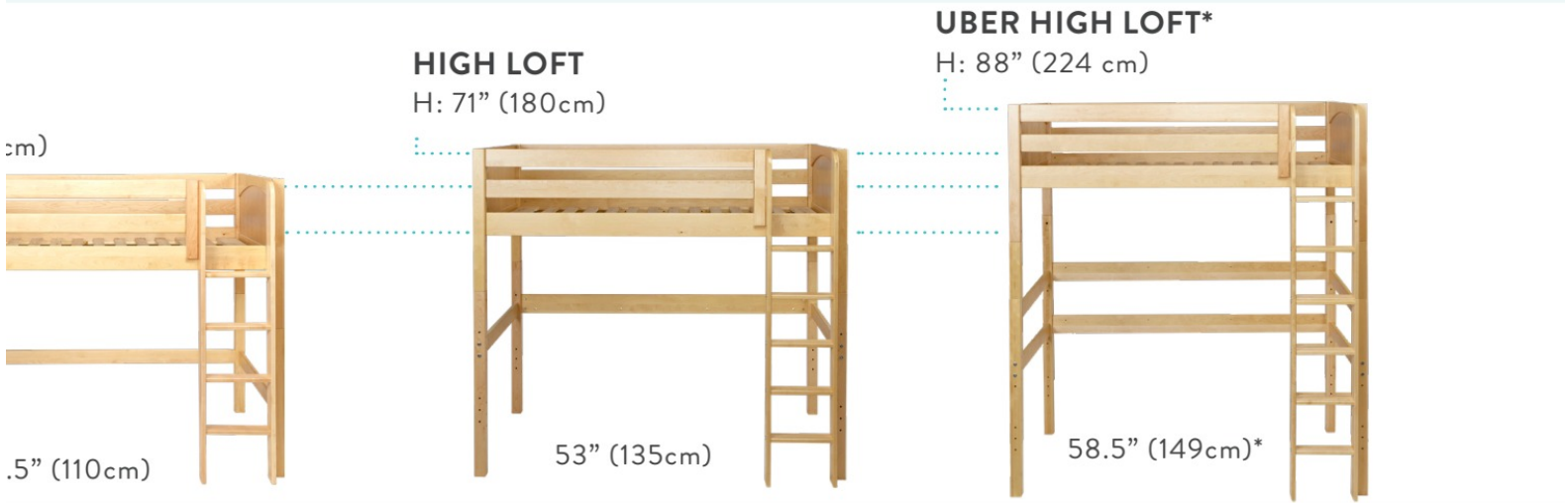
H: 50.75" (129cm)



### SLIDE BUNK

H: 66.25" (168cm)





\*Ultra High only available in Queen lofts



# What makes Maxtrix® Different?



- ✓ 800lb-2,000lb weight capacity per bed—double the US standard\*
- ✓ 16" guardrails—tallest in the industry
- ✓ Non-Toxic—stains, lacquers, and glues are low VOC and lead-free
- ✓ Safety-first design—anti-entrapment ladder design with anti-slip steps & handrails for extra support
- ✓ Anti-tip kits—included with all tall dressers & bookcases
- ✓ Always Up-to-Date—conforms 100% to US Safety Standards

\*ASTM F1427 certified to 400lbs—tested in accordance with ASTM F1427 by Maxwood personnel to 800lbs

## Safety—Our #1 Priority

At Maxtrix®, kids are at the heart of our mission. That's why we test all our Maxtrix products and components annually to ensure our beds are the safest choice for your family. Everything from finishes and lacquers to hardware and glues meet or exceed US and EU safety standards, so you and your family can rest easy. Our beds include 16" safety rails to ensure exceptional protection for kids sleeping on the top bunk.



## Top Toddler Beds



**YEAH WS** Twin Toddler Bed



**YO28 WP** Twin Toddler Bed with Tent



**2000 WP** Full Basic Bed - Low

## Best-Selling Bunks & Lofts



**GETIT WP** Twin Medium Bunk Bed



**PLUSH XL 1 WS** High Twin XL Over Queen Bunk Bed with Ladder



**FOXTROT WS** Medium Twin over Full Bunk Bed with Stairs + Slide



**STAR11 WS** Twin High Loft Bed with Stairs + Desk



**BOX23 WP** Twin Low Loft Bed with Straight Ladder + Storage



**HIGHRISE WP** Twin High Corner Loft Bed



# Traditional Beds

4 Sizes: Twin, Twin XL, Full & Queen



**TWIN**  
L:80" X D:65.5" X H:61.5"



**FULL**  
L:80" X D:61.5" X H:66.25"



**QUEEN**  
L:84" X D:64" X H:71"

Bed Size	High/Low	High/Platform	Platform
Twin	1180	1160	1075
Twin XL	1180 XL	1160 XL	1075 XL
Full	2180	2160	2075
Queen	3180 XL	3160 XL	3075 XL

## CHOOSE YOUR ACCESSORIES:



**TRUNDLE DRAWER**  
1215-001



**TRUNDLE**  
1210-003



**2 DRAWER DRESSER**  
1610-002





# Day Beds

With guardrails & top tents



**TWIN**  
L:80" X D:65.5" X H:61.5"



**FULL**  
L:80" X D:61.5" X H:66.25"



**TOP TENT**  
H: 51.5"

Bed Size	Day Bed	+ Guardrail	+ Top Tent
Twin	BRIX	YEAH	YO27
Twin XL	BRIX XL	YEAH XL	YO27 XL
Full	BRAX	YEP	YES27
Queen	BREX XL	n/a	n/a

CHOOSE YOUR: ✓ Fabric Color ✓ Accessories



See pages 37-39 for full listing of fabrics & accessories.

# Your First Maxtrix Bed

The Maxtrix® bed is the centerpiece of our system and the perfect starter bed for your child. Optional safety rails make it a perfect choice for the transition from a crib.





**1000 NP** Every Maxtrix configuration starts with a single bed.



**BRIX NP +1310-002** Add a Full Length Safety Rail on one side for a daybed.



**YEAH NP +1320-002** Include a Half Length Safety Rail for extra security as a toddler bed.



**YO23 NP +3422-023** Top off your unique design with a fun top tent.



# Classic Bunks

**3 Entry Options:** Can be configured on either side



**TWIN OVER TWIN**  
L:80" X D:46.5" X H:71"



**FULL OVER FULL**  
L:80" X D:92" X H:71"



**QUEEN OVER QUEEN**  
L:104.75" X D:64" X H:71"

High Bunk	Straight Ladder	Angled Ladder	Staircase
<b>Twin over Twin</b>	TALL	VENTI	WOPPER
<b>Twin XL over Twin XL</b>	TALL XL	VENTI XL	WOPPER XL
<b>Full over Full</b>	BUFF	CHUFF	TOPPER
<b>Queen over Queen</b>	CLUNK XL	CHURL XL	POPPER XL

## CHOOSE YOUR ACCESSORIES:



**TRUNDLE DRAWER**  
1215-001



**TRUNDLE**  
1210-003



**2 DRAWER DRESSER**  
1610-002





# Play Bunks

With under-bed curtains, top tents & slides with towers



**MEDIUM TWIN OVER TWIN**  
L:80" X D:46.5" X H:66.25"



**LOW TWIN OVER TWIN**  
L:80" X D:107" X H:61.5"



**LOW TWIN OVER TWIN**  
L:100.75" X D:42.5" X H:61.5"

Play Bunks	+ Curtain	+ Curtain & Slide	+ Curtain & Stairs
<b>Twin over Twin</b>	GETIT27	SMILE23	STACKER22
<b>Full over Full</b>	FIT27	ROCK23	DAPPER22

**CHOOSE YOUR:** ✓ Fabric Color    ✓ Fabric Option    ✓ Accessories



Play Bunks available in Low and Medium Height

See pages 37-39 for full listing of fabrics & accessories.



# Staircase Bunks

Staircases double as storage drawers to create a space-saving design that supports you when climbing to the top bunk.



STELLAR TR WS Twin Medium  
Bunk Bed with Stairs and  
Trundle Bed





**STACKER WP** The perfect option for younger kids or small rooms, the low height and added staircase opens up room for play.



**STACKER27 WP** Play curtains pair with a staircase to create the perfect place for play.



**SNIGGLE WS** A removable and reversible slide makes it easy and fun to get out of bed.



# Ladder Options

Made with wide, anti-slip steps, our reversible and removable ladders offer a space-saving solution while ensuring a smooth and secure transition to the top bed.



GETIT XL 1 WS Twin XL Medium  
Bunk Bed with Ladder on End





**HOTHOT WS** Twin Low Bunk Bed with Angled Ladder



**SLANT WP** Twin over Full High Bunk with Angled Ladder



**GETIT WS** Twin over Twin Medium Bunk Bed with Straight Ladder



**PLUSH XL 1 WS** Twin XL over Queen High Bunk Bed with Straight Ladder on End





**SNIGGLE TR** Twin Low Bunk Bed with Stairs and Slide and Trundle Bed



**SLOPE UD** Medium Twin/Full Bunk Bed with Underbed Storage Drawers



**PLUSH XL 1 TR** Twin XL over Queen High Bunk Bed with Straight Ladder on End and Trundle

# Underbed Bundles

Hidden trundle beds and drawers that easily roll under the bed when not in use. Available in standard and XL sizes with the addition of an XL filler panel.





GETIT UD WC Twin Medium Bunk Bed  
with Underbed Storage Drawers



# Staggered Bunks

Maximize your floor space by stacking different sized beds



**TWIN OVER FULL**  
L:80" X D:61.5" X H:71"



**TWIN XL OVER QUEEN**  
L:88" X D:64" X H:71"



**TWIN XL OVER QUEEN**  
L:104.75" X D:64" X H:71"

Bed Size	Front Ladder	End Ladder	Staircase
<b>Twin over Full</b>	<u>SLOPE</u>	<u>SLOPE1</u>	<u>TOTEM</u>
<b>Twin XL over Queen</b>	LAVISH XL	PLUSH XL 1	WRESTLER

## CHOOSE YOUR ACCESSORIES:



**SHORT BEDSIDE TRAY**  
2100-001



**LONG BEDSIDE TRAY**  
2105-002



**MAGAZINE RACK**  
2130-003





## Quadruple Bunks

Mix and match bed sizes to create the ideal sleeping space for all



**EXCELLENT (TWIN OVER TWIN)**  
L:178.25" X D:42.5" X H:71"



**INFLATION (TWIN OVER FULL)**  
L:178.25" X D:57.5" X H:71"

Bed Size	Classic
Twin over Twin	WONDERFUL
Twin XL over Twin XL	WONDERFUL XL
Full over Full	MEGA
Queen over Queen	DIRECTOR XL

Bed Size	Staggered
Twin over Full	BIG BANG
Twin XL over Queen	GALAXY XL

CHOOSE YOUR: ✓ Color ✓ Size ✓ Style ✓ Height



BIG BANG NS Twin Over Full Bunk Bed with Staircase



# Vacation Solutions

There's room for everyone with quad bunks and unique beds. Available in XL lengths and sizes from twin to queen so every guest has the ideal space to sleep.



Staircases add simple, hidden storage underneath with built-in drawers.



Solid slats and metal support bars provide a 2,000lb weight capacity per bed—more than double the U.S. standard.



GALAXY XL WS Twin XL over Queen Quadruple Bunk Bed with Stairs



# Corner Bunk Beds

Easily create your perfect setup with multiple entry options



**QUATTRO**  
L:120" X D:80" X H:71"



**QUADRUPLE**  
L:135" X D:100.75" X H:71"

Bed Size (High Height)	Two Ladders	Ladder + Stairs
4 Twin Beds	QUATTRO	QUAD
4 Twin XL Beds	QUATTRO XL	QUAD XL
2 Fulls + 2 Twins	QUADRANT	QUANTUM
2 Queens + 2 Twin XLs	QUART XL	QUADRIVIAL XL

CHOOSE YOUR: ✓ Color ✓ Sizes ✓ Style ✓ Height ✓ Entry Options



Corner bunks can be purchased with entrance options on either side.





# Corner Loft Bunks

Entry can be configured on front or end



**TRIO**  
L:120" X D:80" X H:71"



**DECATHLON XL**  
L:124" X D:104.75" X H:71"

Bed Size (High Height)	Two Ladders	Ladder + Stairs
3 Twin Beds	TRIO	TROIKA
3 Twin XL Beds	TRIO XL	TREY XL
2 Fulls + 1 Twin	TRIPLET	TREBLE
2 Twin XLs over 1 Queen	TRINITARIAN XL	DECATHLON XL

CHOOSE YOUR: ✓ Color ✓ Sizes ✓ Style ✓ Height ✓ Entry Options



Design your bed with ladders on the front or the end.



# Lofts

4 Heights: Low, Mid, High & Uber High\*



Also available with slides and stairs!



**TWIN LOW LOFT**  
L:80" X D:65.5" X H:61.5"



**FULL MID LOFT**  
L:80" X D:61.5" X H:66.25



**QUEEN HIGH LOFT**  
L:84" X D:64" X H:71"

Ladder Loft	61.5" Low Loft	66.25" Mid Loft	71" High Loft
Twin	<u>LOW RIDER</u>	<u>CHIP</u>	<u>JIBJAB</u>
Twin XL	<u>LOW RIDER XL</u>	<u>CHIP XL</u>	<u>JIBJAB XL</u>
Full	<u>LARGE</u>	<u>KING</u>	<u>GRAND</u>
Queen	n/a	BUNDLE XL	HEFTY XL

**CHOOSE YOUR ACCESSORIES:** Combine with case-goods to create storage lofts (page 35).



\*Uber High: 88" tall





# Play Lofts

With under-bed curtains, top tents & slides with towers\*



**EASY RIDER (TWIN LOW LOFT)**  
L:80" X D:64.75" X H:50.75"



**WOW (TWIN LOW LOFT)**  
L:84" X D:64" X H:71"



**DELICIOUS (TWIN LOW LOFT)**  
L:100.75" X D:109.5" X H:50.75"

Play Lofts	+ Curtain	+ Curtain, Tent, Slide & Tower	+ Curtain, Tent, Slide, Tower & Stairs
<b>Twin</b>	EASY RIDER22	WOW44	DELICIOUS57
<b>Full</b>	MANSION22	FANTASTIC44	KAPOW57

**CHOOSE YOUR:** ✓ Fabric Color    ✓ Fabric Option    ✓ Accessories



Play Lofts available in Low and Mid Height

\*Towers only compatible with Low Lofts. See pages 37-39 for full listing of fabrics & accessories.



SOAR XL 1 N5 Queen High Bunk Bed with Straight Ladder on End

## XL Beds

Find room to stretch in our twin XL and queen sizes. With this much extra bed, tweens, teens, and even adults sleep comfortably.





**DECATHLON XL WS** Corner Loft Bunk Bed  
- Twin XL over Queen + Twin XL



**HEFTY3 XL WS** Queen High Loft Bed with  
Straight Ladder + Desk and Dressers



**STAR15 XL WS** Twin XL High Loft Bed with  
Stairs with Corner Desk



**PLUSH XL 1 WS** Twin XL over Queen High  
Bunk Bed with Straight Ladder on End



**GETIT XL WS** Twin XL Medium Bunk Bed



**MACK XL WS** Twin XL Mid Loft Bed with  
Ladder on End



# Multitasking Beds

Made to sleep, study, store and so much more. Loft beds create a space-saving solution when paired with a desk, storage drawers or other fun accessories.



**SLAM2 WP** Twin High Loft Bed with Straight Ladder on End, Storage + Desk



**JIBJAB3 WC** Twin High Loft Bed with Straight Ladder + Desk



**PERFECT3 WS** Full Low Loft Bed with Stairs + Storage



**PEAK WS** Full + Twin High Corner Loft with Angled Ladder and Stairs



HEAVY XL NS Queen High Loft Bed  
with ladder on end



# Corner Loft Beds

The two beds can be matching or different sizes



**HIGHRISE 1 (TWIN + TWIN)**

L:120" X D:80" X H:71"



**PEAK (TWIN + FULL)**

L:135" X D:100.75" X H:71"

Bed Size (High Height)	Two Ladders	Ladder + Stairs
Twin + Twin	<u>HIGHRISE</u>	<u>ROOFTOP</u>
Twin XL + Twin XL	<u>HIGHRISE XL</u>	<u>ROOFTOP XL</u>
Full + Twin	<u>SUMMIT</u>	<u>CREST</u>
Queen + Twin XL	PINNACLE XL	SPIRE XL

**CHOOSE YOUR ACCESSORIES:** Option to add coordinating desks for a built-in study solution.



**CHAIR**

2511-130



**FULL LENGTH DESK**

2610



**CORNER DESK**

2615





# Coordinating Case Goods

Build the perfect room



Item	Product Name
3-Drawer Dresser	4130
4-Drawer Dresser	4140
5-Drawer Dresser	4150
6-Drawer Dresser	4160
3-Shelf Bookcase	4630
	4633
	4635
4-Shelf Bookcase	4640
	4643
	4645
5-Shelf Bookcase	4650
	4653
	4655
6-Shelf Bookcase	4660
8-Shelf Bookcase	4680

Item	Product Name
Student Desk	2453
2-Drawer Student Desk	2454
4-Drawer Student Desk	2455
Study Desk	2440
1-Drawer Nightstand	4210
3-Drawer Nightstand	4135
Charging Nightstand	4120

\*Bookcases to fit under Low, Mid & High Loft



## Dressers

Add a matching dresser to your loft or have it freestanding



Removing the dresser from under your Loft and want to create a free-standing piece? Add crown molding on the top and base, plus taller feet to “dress up” your dresser.



4230 3-Drawer Dresser



5050 Crown & Base



BIG3



### Dovetail Drawer Construction

All of our drawers are crafted using English dovetail joints for a long lasting connection between the drawer fronts and sides!



### Undermounted Drawer Glides

Under-mounted, soft-closing drawer glides are installed on each drawer. Safety pins lock drawers in place to keep from being pulled out completely.



### Solid Wood Construction

We use premium hardwood in our dressers and other case goods. Only Maple, Birch, and Aspen with no visible knots are accepted.





# Mattresses & Accessories

Layer your bed with extra support and colorful add-on's



**Breathable**



**Made with organic cotton**



**Non-toxic materials**



**Hypoallergenic**



**Machine washable cover**

Cool, comfortable, and supportive, our 5 Inch Premium Memory Foam Mattress is the perfect addition to your Maxtrix® bunk, loft or bed. High-density foam base offers superior support.

5" mattress available in Twin, Twin XL, Full, and Trundle sizes. 8" available in Queen.

## Pillows & Maxpacks

Dress up your bed with a wide selection of color-coordinating pillows and bolsters, plus Maxpacks to keep your goodies in easy reach when you sleep up high.



3800-066



3800-077



3800-048



3800-054



3800-045



3800-042



3800-021



3800-022



3800-023



3800-031



3800-037



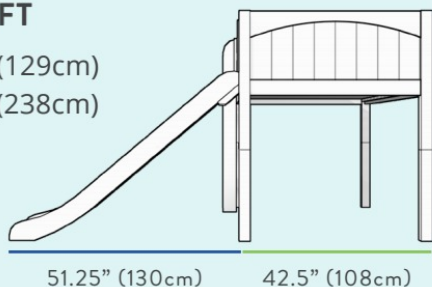
3800-038



## Slide Options

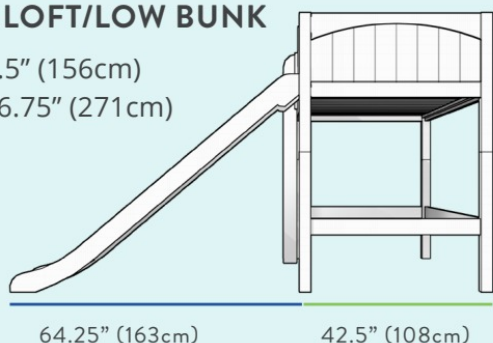
### LOW LOFT

H: 50.75" (129cm)  
D: 93.75" (238cm)



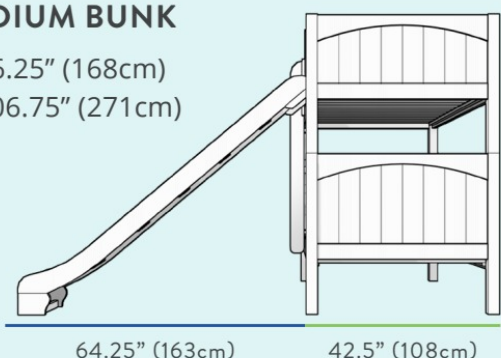
### MID LOFT/LOW BUNK

H: 61.5" (156cm)  
D: 106.75" (271cm)



### MEDIUM BUNK

H: 66.25" (168cm)  
D: 106.75" (271cm)



### HIGH LOFT/ HIGH BUNK

H: 71" (180cm)  
D: 72" (183cm)



## Underbed Curtains

These curtains attach to the inside bedside rail of low and medium bunks or lofts with velcro strips so they can be removed easily.



Twin 3220-022  
Full 3250-022



Twin 3220-023  
Full 3250-023



Twin 3220-027  
Full 3250-027



Twin 3225-044  
Full 3255-044



Twin 3225-056  
Full 3255-056



Twin 3225-057  
Full 3255-057



Twin 3225-064  
Full 3255-064



Twin 3225-080  
Full 3255-080



# Top Tents & Towers

Our top tents and towers come in the same great color combinations—mix and match them to create your perfect castle!

*(Compatible with low lofts only)*



Twin: 342X-022  
Full: 345X-022



Twin: 342X-023  
Full: 345X-023



352X-022



352X-023



Twin: 342X-027  
Full: 345X-027



Twin 342X-021  
Full 345X-021



352X-027



352X-044



Twin: 342X-056  
Full: 345X-056



Twin: 342X-057  
Full: 345X-057



352X-056



352X-057



Twin: 342X-064  
Full: 345X-064



Twin: 342X-080  
Full: 345X-080

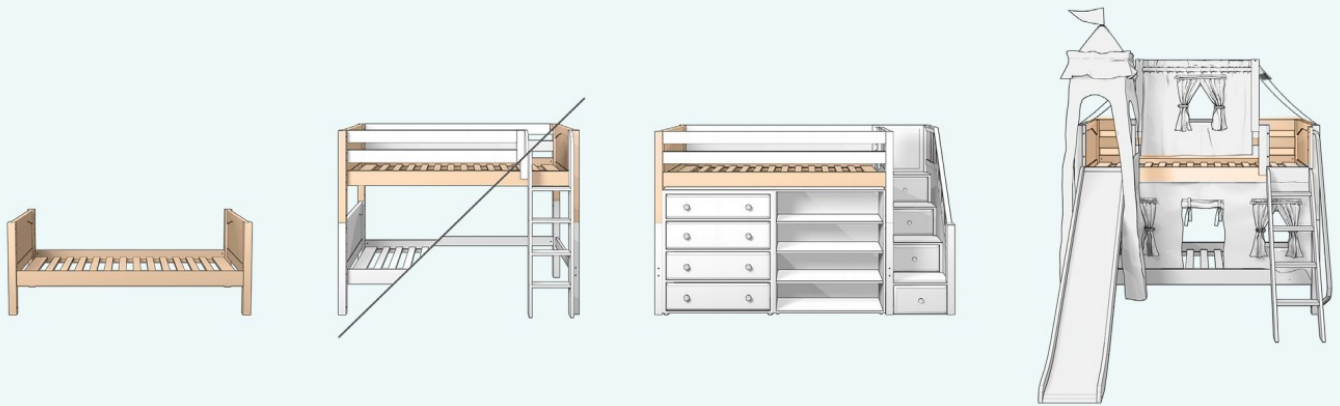


352X-064



352X-080





One bed. Endless possibilities.

[WWW.MAXTRIXKIDS.COM](http://WWW.MAXTRIXKIDS.COM)

**maxtrix**